

Angled Cap and Half Round Cap

easy-trim Verge U

FlapCap TECHNOLOGY

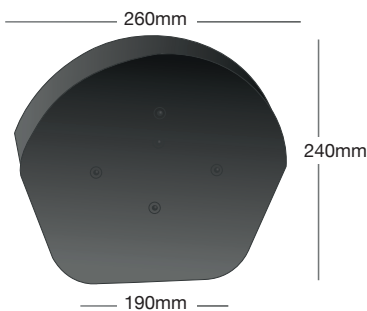


Flexible flaps on the Ridge Cap contour around the side of the verge unit, effectively creating a 'sealed' unit that prevents water ingress and infestation.



Ridge Caps

Half Round Ridge Cap



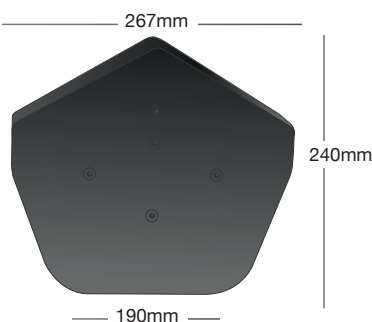
Product Codes

GREY	EASYVERGEU/HR/G
BROWN	EASYVERGEU/HR/B
TERRACOTTA	EASYVERGEU/HR/T
BLACK	EASYVERGEU/HR/BL

Weight

0.11kg per Single

Angled Ridge Cap



Product Codes

GREY	EASYVERGEU/A/G
BROWN	EASYVERGEU/A/B
TERRACOTTA	EASYVERGEU/A/T
BLACK	EASYVERGEU/A/BL

Weight

0.18kg per Single

Description

Our high quality, UV stable angled and half round ridge caps incorporate unique and innovative Flap Cap Technology. Flexible flaps contour around the sides of the Easy Verge U system effectively creating a 'sealed' unit that prevents water ingress and infestation.

Benefits

- Weather resistant and UV Stable
- Flexible polypropylene material allows for rapid installation
- Maintenance free and mechanically installed

Installation

Install the dry verge U system and ridge tiles as normal, carefully place the ridge cap over the end of the ridge tile, simultaneously sealing the ends of the dry verge U. Ensure the flexible flaps contour round the sides of the Easy Verge U system effectively creating a tight seal.

The Flexible flaps contour around the sides of the Verge U piece to create a 'sealed' unit, preventing water ingress and infestation whilst also adding to the neatly finished aesthetics.

Other related products:

- Easy-Trim Verge U
- Easy-Trim Ridge F