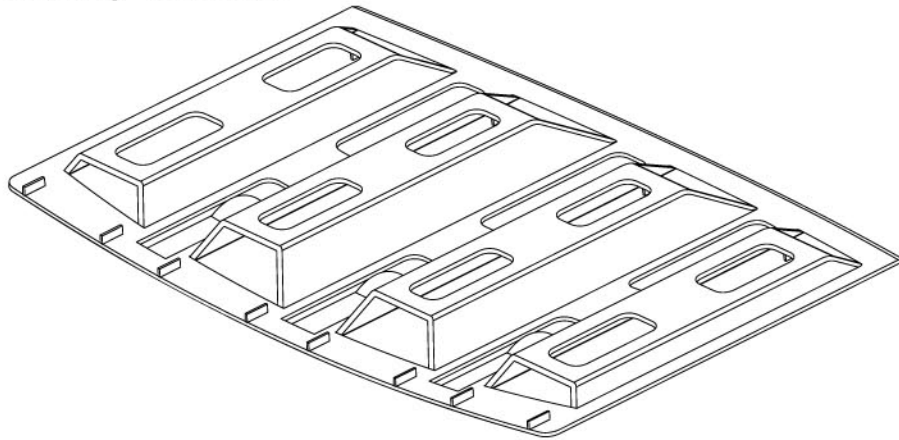


The Complete System

Felt Lap Ventilator



Felt Lap Vent
Code: G630
(White)

Other products from the Manthorpe Range include Cavity Trays, Cavity Closer, Loft Doors, Roof Ventilation, Through Wall Ventilation, Joist Seals and Dry Roofing Products.



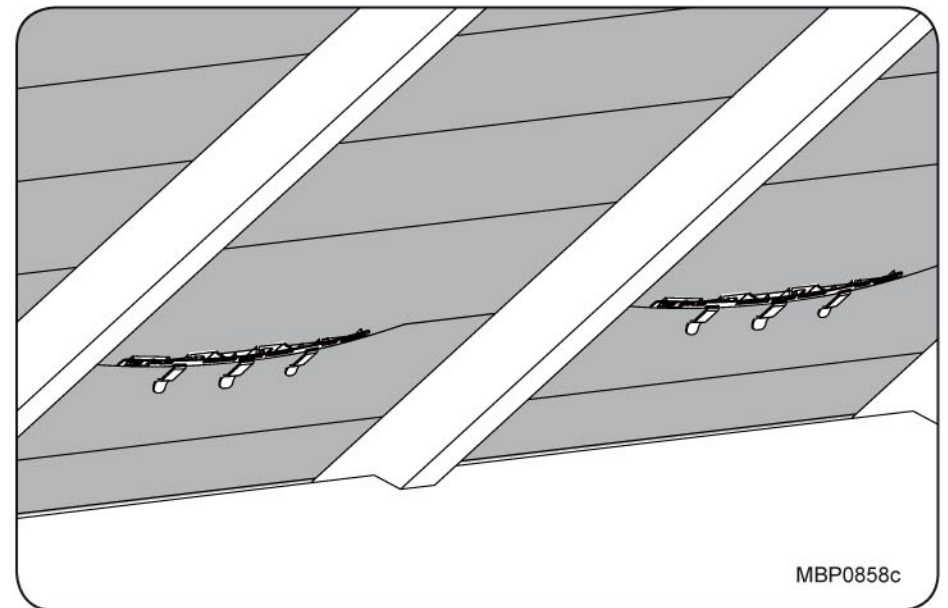
Manthorpe Building Products Limited

Manthorpe House, Brittain Drive, Codnor Gate Business Park, Ripley, Derbyshire DE5 3ND
T: (01773) 514200 F: (01773) 514262 E: sales@manthorpe.co.uk
W: <http://www.manthorpe.co.uk>



Felt Lap Ventilator

Fitting Instructions



MBP0858c

The Manthorpe Felt Lap Vent is a refurbishment product designed to increase the amount of ventilation into existing roof spaces.

Usually fitted retrospectively to properties with additional loft insulation recently installed, the Felt Lap Vent will help to combat the problem of condensation build up in any roof space with a lapped felt/membrane construction.

The product will not meet the requirement for roof ventilation solely on it's own, it will only provide airflow through the felt laps. Other measures may need to be in place to ensure that the adequate amount of ventilation is provided for the roof space.

The specifier should also ensure that the opening of felt laps on the property will not adversely increase the wind uplift load on the tiles/slates or the driving rain resistance of the roof, for more information see *BS 5534:2003, 5.8.1 & 6.2.1.1.*

Installation

1. Initially it is recommended that one Felt Lap Vent be placed at every other rafter spacing, at low level (as near to the eaves as possible) on both sides of the roof space to ensure a cross flow of ventilation and monitor the condensation levels. Each unit will provide 3,000mm² of free airflow.

In extreme circumstances where the issue of condensation persists, additional Felt Lap Vents can be positioned in the roof space to increase the ventilation up to the values stated in BS 5250 as illustrated in the table below;

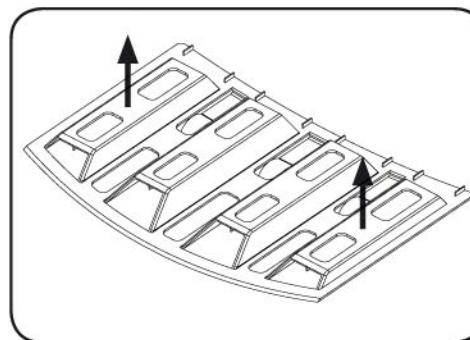
To achieve the following free airflow	G630 Felt Lap Vent Spacings*	
	millimeters	meters
5,000mm ² /M	600	0.6
10,000mm ² /M	300	0.3
25,000mm ² /M	120	0.12

*To achieve this, multiple vents may need to be installed between individual rafter spacings.

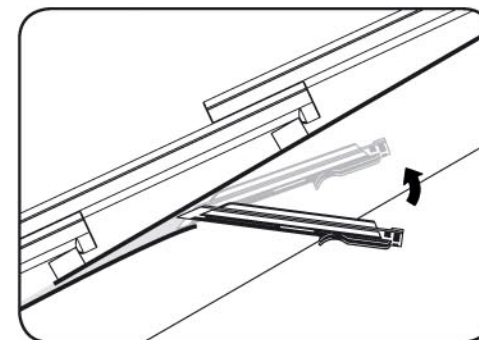
Example: For a 7m long roof requiring 10,000mm²/M of free airflow.
 $7 \div 0.3 = 23.33$, or 24 vents spaced equally along the length

For further information on ventilation requirements refer to *BS 5250 Code of Practice for Control of Condensation in Buildings.*

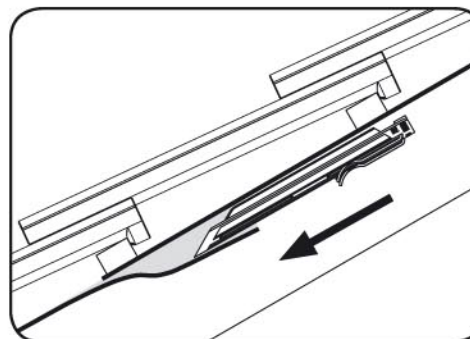
The product can be installed in roof spaces with rafter spacings ranging from 400mm to 600mm, if additional vents are required they can be positioned individually or multiple vents can be placed within each rafter spacing depending on the size of the joist centres.



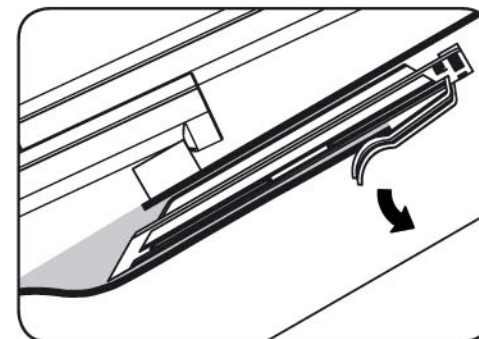
2. Orientate the G630 so that flat face is facing upwards and the curved face with the felt clips is facing down.



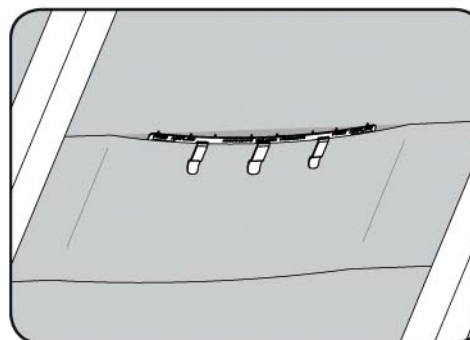
3. Push the tapered front edge of the vent into the lap of the felt, once the front edge is in, pivot the vent up flat against the felt forcing the lap apart.



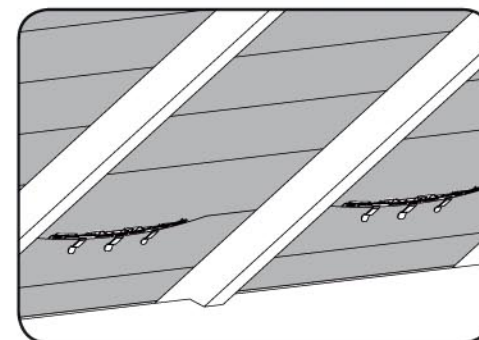
4. Push the vent down into the felt lap, ensuring the flat top is in line with the underside of the battens.



5. When the vent is almost in position, the felt clips will slide over the lower lap of the felt. Ensure that all 3 clips are properly located before proceeding.



6. Once correctly installed all that will be visible of the vent is the top edge with the stated airflow of 3,000mm² and the 3 felt clips.



7. Working across the roof space, slot the vents into the appropriate felt laps between joist openings to give the required amount of ventilation.